

1.1 EagleClaw Grapple Saw 3.5 - 6t Mini Excavator Class

5 Finger By-Pass
Oil Rotator



1.5

1.1

1.2

2.0



**Ferntree Grapple Saw Solutions
For Excavator 3t - 30t**

EAGLE CLAW SERIES & THUMM Rotator / Germany

Made for the Professional user

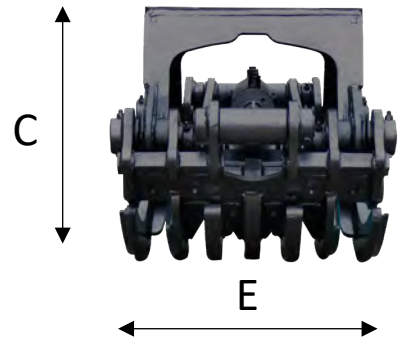
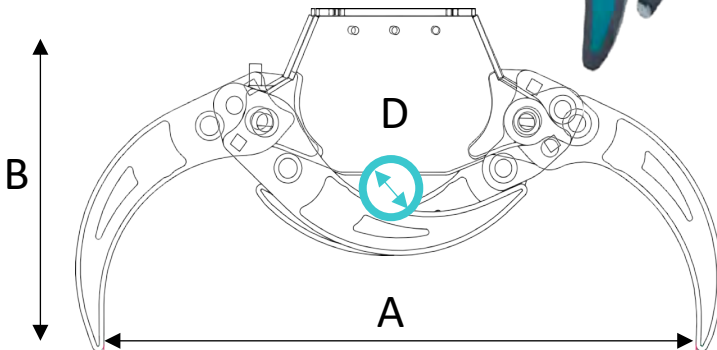
- Forest & Logging
- Demolition
- Landscape
- Material Handling

Hydraulic Connections required Grapple Saw

- 1 Circuit – Rotator
- 1 Circuit – Grapple open / close
- 1 Pressure – SAW activation
- 1 Case Drain – SAW return w/o pressure
- Alternatively – 1 or 2 Diverter Valve

Technical details:

max. thrust load:	= 60 kN
max. radial load:	= 40 kN
p max. grab	= 35 MPa/350bar
p max. rotating engine	= 25 MPa/250bar
max. torque	= 1650 Nm
Torque / 100bar	= 660 Nm
Adsorption volume	= 520 cm ³ /R
min. oil passage Gs / Go	= NW 12
Mass	= 63kg
max. rotations	= 30 rpm
Bending moment Mb per.	= 6,1 kNm (leaf 4.606.00)



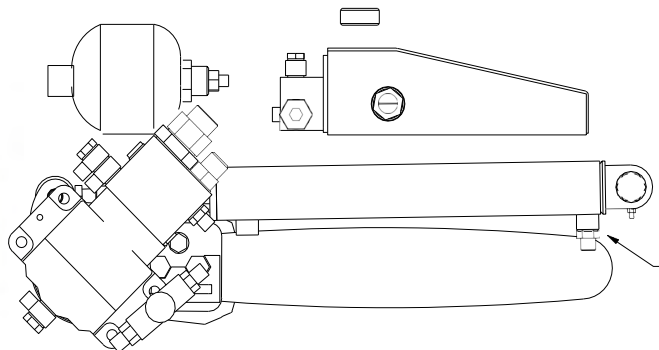
*Ferntree holds the right for technical changes at any time

MODEL	5 finger lbs	7 finger lbs	Excavator class	A	B	C	D	E
* UNI 1.1	298	n.a	2 - 5t	42"	24.7"	17"	1.9"	16"
UNI 1.2	n.a	508	4 - 7t	48"	26.7"	20"	2.25"	18.8"
UNI 1.5	830	870	7 - 12t	60"	32.7"	23.6"	3"	20.8"
UNI 1.7	1170	1205	12 - 20t	68"	37"	27"	3.5"	22.8"
UNI 2.0	n.a	1960	15 - 30t	80"	47"	31"	4"	31"

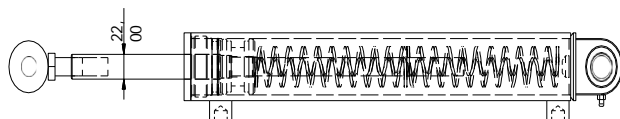
FERNTREE EQUIPMENT Import & Distribution for North-America

Info@ferntree.ca +1 778 222 9111 Guelph Ontario Canada www.ferntree.ca

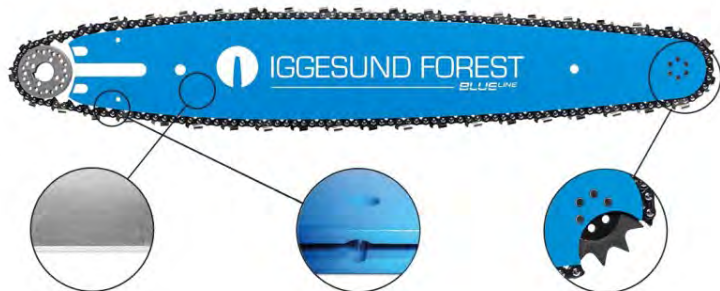
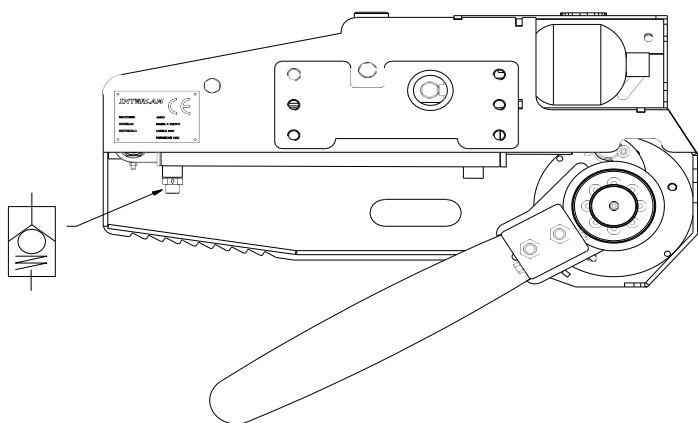
EAGLE CLAW SERIES Saw Kit IT 450 CTH



*Ferntree holds the right for technical changes at any time



Bar – return through Spring loaded Cylinder



IT 450 CTH	Interlam Saw Box
Flow	Min 12gpm – Max 16gpm
Pressure	250bar / 3625 psi
Motor	Parker F11-06 Case Drain direct to Tank with max 20psi return pressure
Cut Capacity	17" Standard or 20" OREGON, IGGESUND, Wartah etc
Sprocket	B 11
Chain	404 – 1.6
Oil Tank	1.5L / 0.4 Gallon
Tension	Mechanical



**FERNTREE
EQUIPMENT
& DISTRIBUTION**
YOUR QUALITY BRAND CONNECTION



www.ferntree.ca



www.ferntree.ca



**FERNTREE
EQUIPMENT
& DISTRIBUTION**
YOUR QUALITY BRAND CONNECTION

**Import & Distribution
North-America**
Info@ferntree.ca
+1 778 222 9111
Guelph Ontario Canada
www.ferntree.ca