

EAGLE CLAW GRAPPLES

2.5t – 20t Class

5 & 7 Finger By-Pass



**FERNTREE
EQUIPMENT
& DISTRIBUTION**

HARDOX
IN MY BODY



100%



MADE IN ITALY

**FERNTREE EQUIPMENTS Grapple Series.
Designed for the North-American Client by Ferntree.
Made in Italy**

EAGLE CLAW SERIES

Made for the Professional user

- Forest & Logging
- Demolition
- Landscape
- Material Handling

Top Plate prepared for Rotators from

- AVS – Austria
- Thumm - Rotators Sweden
- Simple Bolt on Pattern
- No Adapters needed

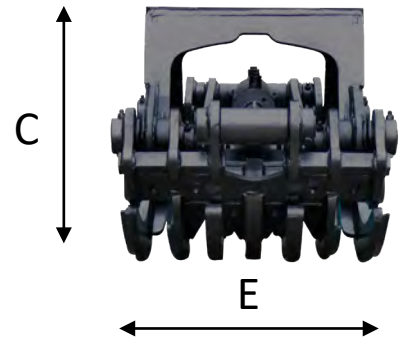
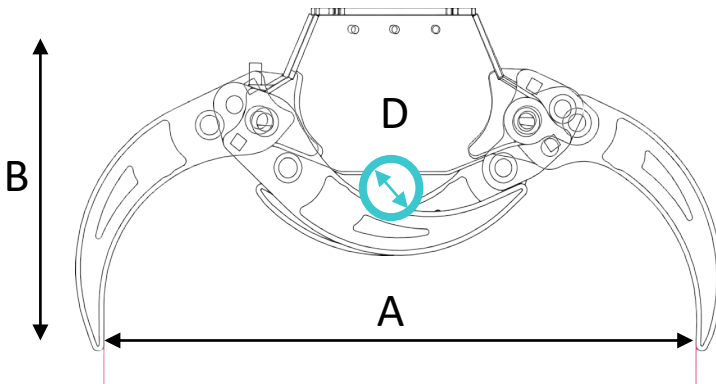


FERNTREE EQUIPMENT & DISTRIBUTION

YOUR QUALITY BRAND CONNECTION



*Ferntree holds the right for technical changes at any time



MODEL	5 finger lbs	7 finger lbs	Excavator class	A	B	C	D	E
UNI 1.1	210	225	1.5-3t	38"	24.7"	17"	1"	16.8"
UNI 1.2	480	525	3 -7t	48"	26.7"	20"	2.25"	18.8"
UNI 1.5	830	870	7 - 12t	60"	32.7	23.6"	3"	20.8"
UNI 1.7	1170	1205	12 - 20t	68"	37"	27"	3.5"	22.8"

FERNTREE EQUIPMENT Import & Distribution for North-America

Info@ferntree.ca +1 778 222 9111 Guelph Ontario Canada www.ferntree.ca