

Interlam Grapple Saw

- 8-14t IT1600/500.GS
- 14-20t IT1600/800.GS



INTERLAM S.R.L Grapple Saws are made by true Forestry Specialist in Italy. Experience in Tree Shears , Dangle Saws , Log Grapples and Saw Grapples for Cranes , Excavators and Telehandlers. INTERLAM also know throughout EUROPE as one of the only suppliers for Saw Boxes in the Aftermarket sector.



IT1600/800.GS shown

IT 1600/500

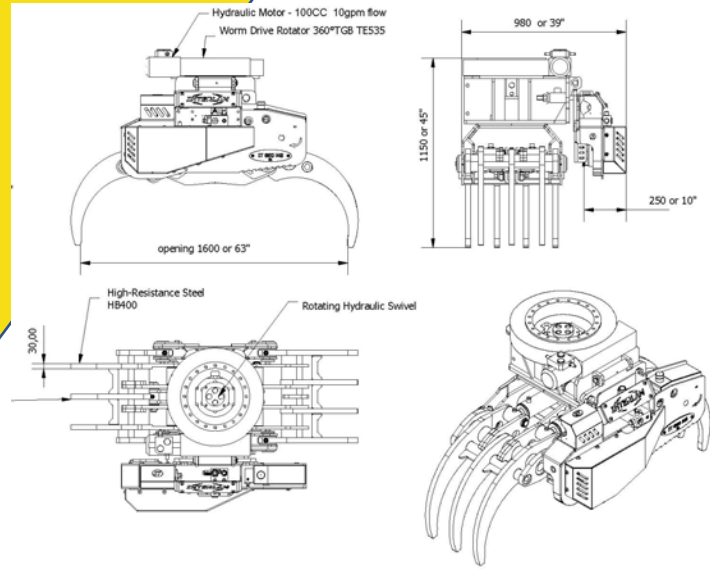
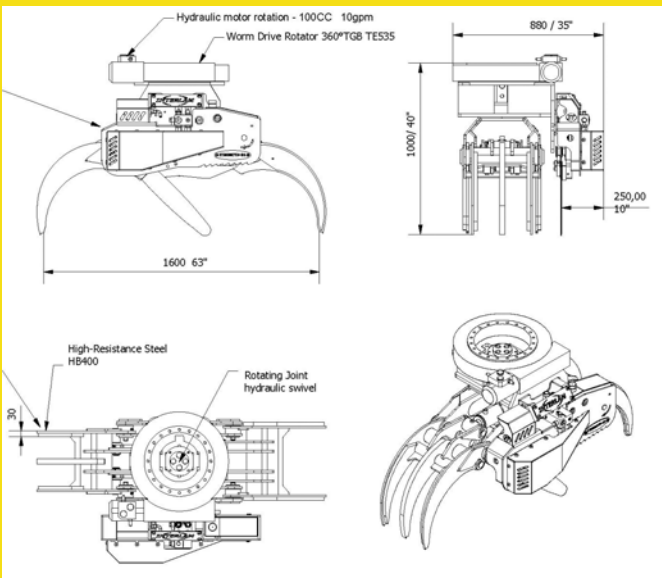
IT 1600/800



5 Finger Grapple



7 Finger Grapple



| Model | Weight lbs | Flow Saw gpm | PSI | Cutting Diameter | Chain Sprocket | Motor CC | Chain Tensioner |
|-------------|------------|--------------|----------|------------------|----------------|-----------------|---------------------------|
| IT1600 /500 | 1400 | 18-26 gpm | 3500 PSI | 20 - 22" | 404 B11 | Parker F11/10 | Mechanical Quick tension |
| IT1600 /800 | 1995 | 31-42 gpm | 3500 PSI | 26 - 28" | 404 Or ¾ C13 | Parker F11 / 19 | Automatic Chain Tensioner |

Standard Equipment

- 45 degree base mount
- 2 auxiliary valve set up
- 404 chain
- Yellow/ Black
- TGB Worm Drive Rotator
- 5 Finger IT1600/500
- 7 Finger IT 1600/800

Optional Equipment

- Single auxiliary line set up
- Pin grab Customisation
- Custom Color
- 4 Finger Grapple
- Closed Finger Grapple
- ¾ chain for 14-20t Unit

Technical data are dependent on equipment and may vary. The images may contain additional options which do not belong to the standard scope of delivery. **INTERLAM** and **FERNTREE Equipment** reserves the right to make amendments and updates at any time without prior notice.



**FERNTREE
EQUIPMENT
& DISTRIBUTION**
YOUR QUALITY BRAND CONNECTION

**Import & Distribution
North-America**

Info@ferntree.ca
+1 778 222 9111
Guelph Ontario
Canada www.ferntree.ca





100%



MADE IN ITALY

PINZA PER TRONCHI- Log Grab IT 1600 C2 - IT 1900 C2



| | | | | | Portata Kg Load Kg | Bar max | Peso Kg Weight Kg | ton | |
|-------------------|-----|-----|-------|-------|-----------------------|---------|----------------------|---------|---------------------------------------|
| IT 1600 C2 | 110 | 600 | 700 | 1.600 | 5.000 | 250 | 430 | 9 - 16 | IT 700 CTH IT 800 MS IT 800 MSA |
| IT 1900 C2 | 110 | 720 | 1.100 | 1.900 | 8.000 | 250 | 800 | 18 - 25 | IT 3/4 MS IT 3/4 SC |



The IT 1600 & 1900 C2 log grab was designed for heavy-duty work. The open forks made of 40 mm thick STEEL HB 400 and the two hydraulic cylinders allow easy handling of logs and branches. The clamp can be equipped with a 3/4" chainsaw kit and slewing ring rotation.





100%



MADE IN ITALY

KIT-MOTOSEGA - Chainsaw Kit **IT 800 MS**



Total length - 1.070 mm
Total width - 270 mm
Total height - 440 mm
Weight - 125 Kg
Max cut diameter - 600/700 mm
Hydraulic engine - F11-14/19
Engine oil litres - 100 min 160 max
Max pressure - 250 Bar
Chain lubrication automatic Serbatoio olio - Oil tank - 1,5 lt
Quick mechanical chain tensioner
Case Drainage straight to the tank
Saw bar - 820/900 mm
Chain - 404" - 2 mm
Sprocket - C13
AUTOMATIC CHAIN TENSIONER

KIT-MOTOSEGA - Chainsaw Kit **IT 500 CTH**



Total length - 870 mm
Total width - 320 mm
Total height - 380 mm
Weight - 115 Kg
Max cut diameter - 500/550 mm
Parker Hydraulic Motor - F11-10
Engine oil liters - 70 min 100 max
Max pressure - 250 Bar
Chain lubrication automatic Oil tank - 1,5 lt
Quick mechanical chain tensioner
Case Drainage straight to the tank
Saw bar - 640/750 mm
Chain - 404" - 1,6 mm
Sprocket - B11
Mechanical Chain Tensioner



100%



MADE IN ITALY

RICAMBI - Spare Parts



IGGESUND FOREST

The professional's choice



BL 701-54 Barra Harvester R7 404" 1.6 mm
540mm *Harvester R7 bar 404" 1.6 mm*

BL 701-64 Barra Harvester R7 404" 1.6 mm
640 mm *Harvester R7 bar 404" 1.6 mm*

BL 701-75 Barra Harvester R7 404" 1.6 mm
750 mm *Harvester R7 bar 404" 1.6 mm*

BL 2811-75 Barra Harvester R8 404" 2.0 mm
750 mm *Harvester R8 bar 404" 2.0 mm*

BL 2811-82 Barra Harvester R8 404" 2.0 mm
820 mm *Harvester R8 bar 404" 2.0 mm*

BL 2811-90 Barra Harvester R8 404" 2.0 mm
900 mm *Harvester R8 bar 404" 2.0 mm*

BL 2811-100 Barra Harvester R8 404" 2.0 mm
1000 mm *Harvester R8 bar 404" 2.0 mm*



Pignone B11 d.20
Sprocket B11 r.20

Pignone C11 d.25
Sprocket C11 r.25

Pignone C13 d.25
Sprocket C13 r.25

Pignone V9 3/4" d.32
Sprocket V9 3/4" d.32



H 36 N-C Barra Harvester 3/4"
915 mm *Harvester R9 bar 3/4"*

H 40 N-B Barra Harvester 3/4"
1.016 mm *Harvester R9 bar 3/4"*





100%



MADE IN ITALY



INTERLAM since 1964



**FERN TREE
EQUIPMENT
& DISTRIBUTION**

YOUR QUALITY BRAND CONNECTION

**Import & Distribution
North-America**

Info@ferntree.ca

+1 778 222 9111

Guelph Ontario

Canada www.ferntree.ca

